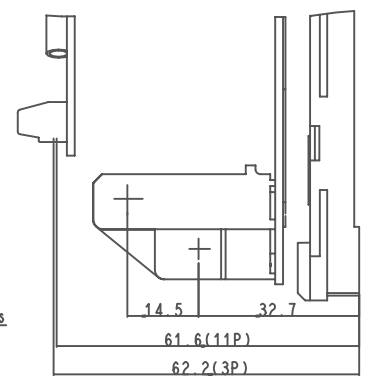
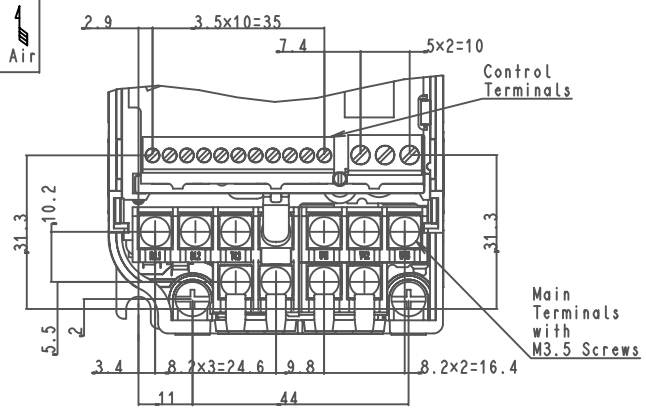
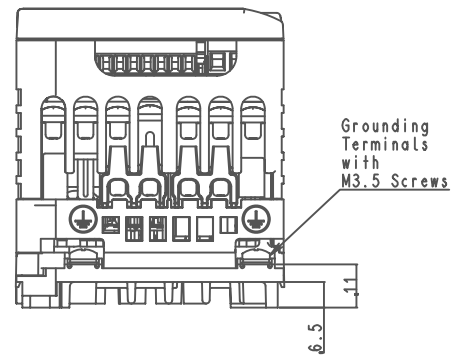
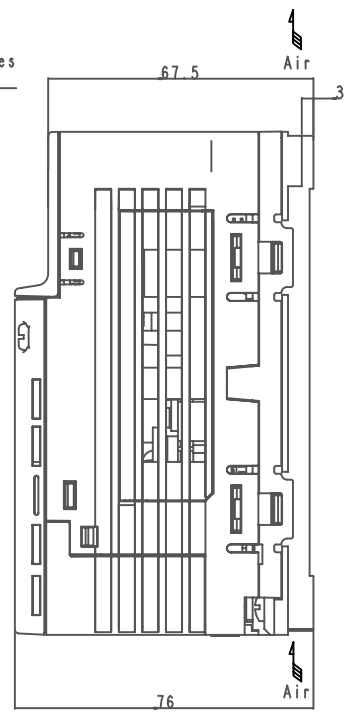
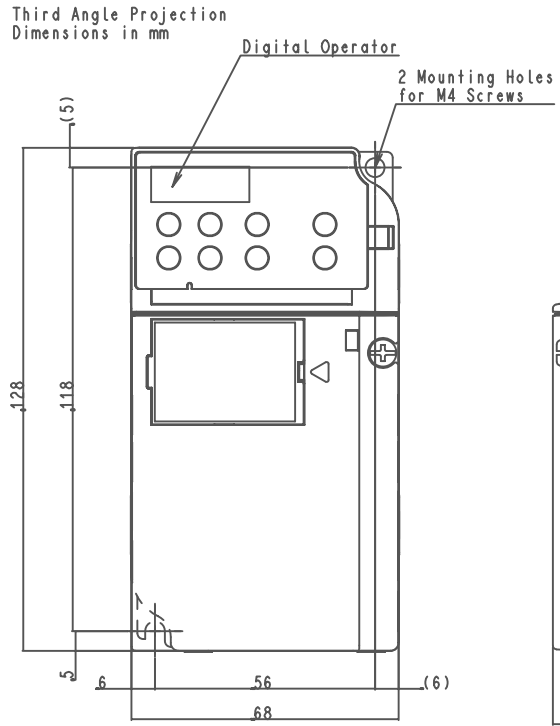


DWG. NO. EZZ901655-1/1

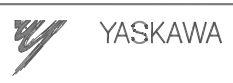
Model No.	Max Appli. Motor (kW)		Terminal Symbol		Cooling Fan	Mass (kg)
	Normal Duty	Heavy Duty	INPUT	OUTPUT(MOTOR)		
CIMR-J#B□0001B	0.2	0.1	R/L1 S/L2	U/T1 V/T2 W/T3	-	0.6
CIMR-J#B□0002B	0.4	0.2	R/L1 S/L2	U/T1 V/T2 W/T3	-	0.6
CIMR-J#2□0001B	0.2	0.1	R/L1 S/L2 T/L3	U/T1 V/T2 W/T3	-	0.6
CIMR-J#2□0002B	0.4	0.2	R/L1 S/L2 T/L3	U/T1 V/T2 W/T3	-	0.6

#: A to Z
□: A to Z



Detail (without Front cover) SCALE 1:1

REVISIONS



DRAW.	Oct.17,2007	N. Koga
CHECK	Oct.17,2007	T. Morihara
APPR.	Oct.17,2007	M. Kojyo

TITLE J1000 IP20 TYPE
DIMENSION DIAGRAM

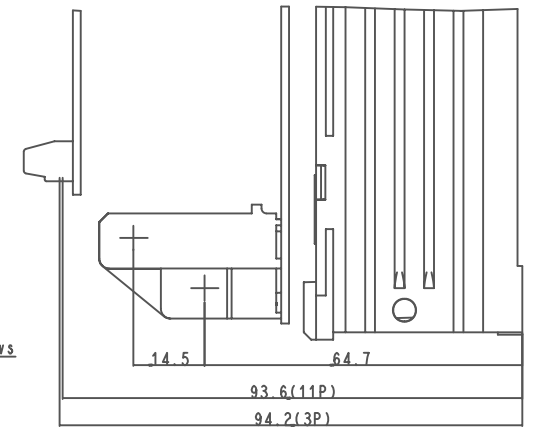
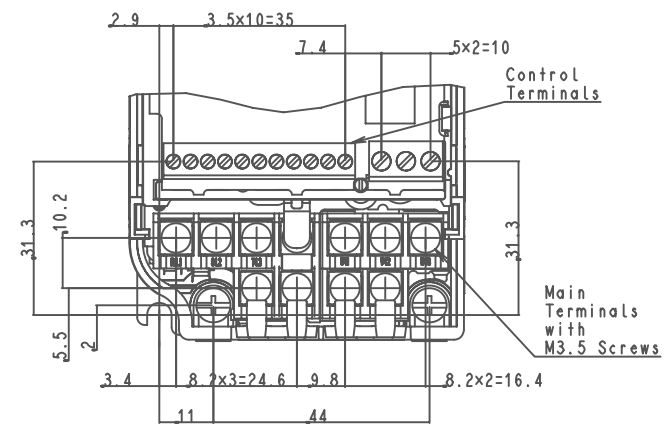
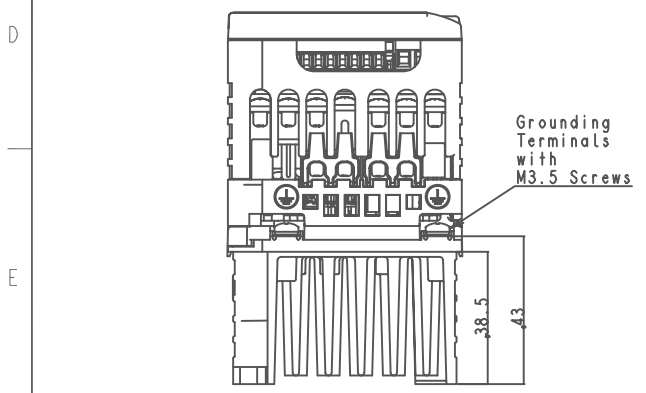
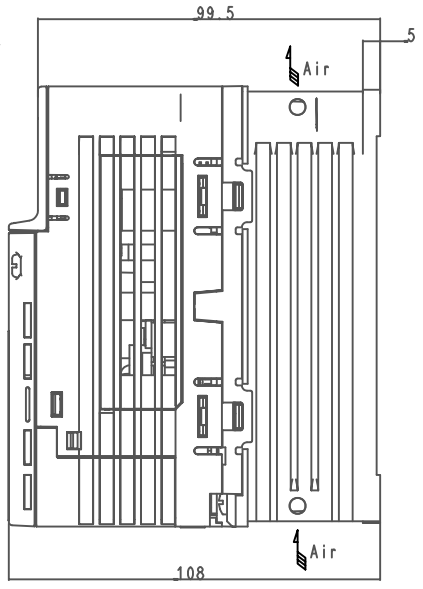
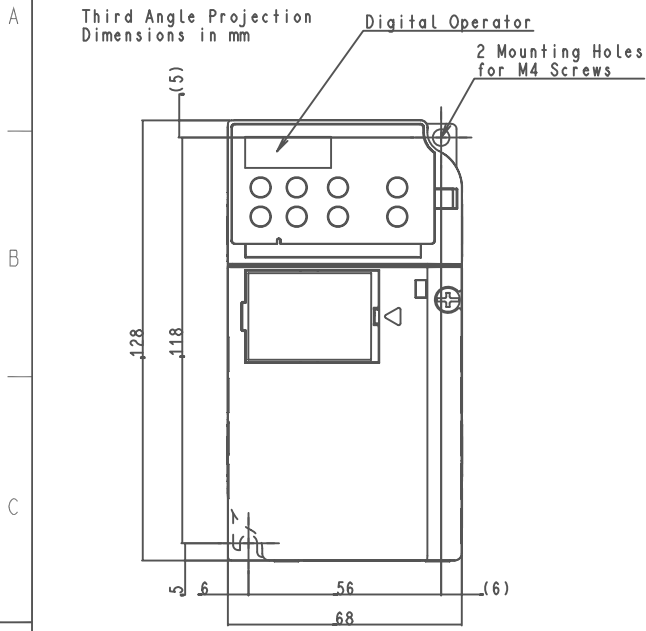
DWG. NO. EZZ901655

REV.	1

DWG. NO. **EZZ901656-1/1**

Model No.	Max Appli. Motor (kW)		Terminal Symbol			Cooling Fan	Mass (kg)			
	Normal Duty	Heavy Duty	INPUT OUTPUT(MOTOR)							
CIMR-J#2□0004B	0.75	0.4	R/L1	S/L2	T/L3	U/T1	V/T2	W/T3	-	0.9

#: A to Z
□: A to Z



Detail (without front cover) SCALE 1:1

REVISIONS



DRAW.	Oct.17,2007	N.Koga
CHECK	Oct.17,2007	T.Morihara
APPR.	Oct.17,2007	M.Kojyo

TITLE **J1000 IP20 TYPE**
DIMENSION DIAGRAM

DWG. NO. **EZZ901656**

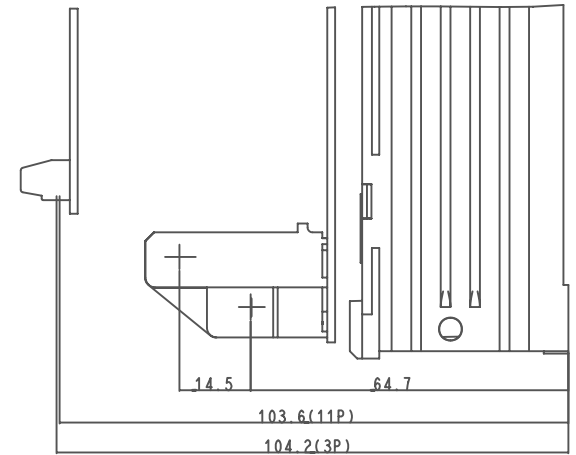
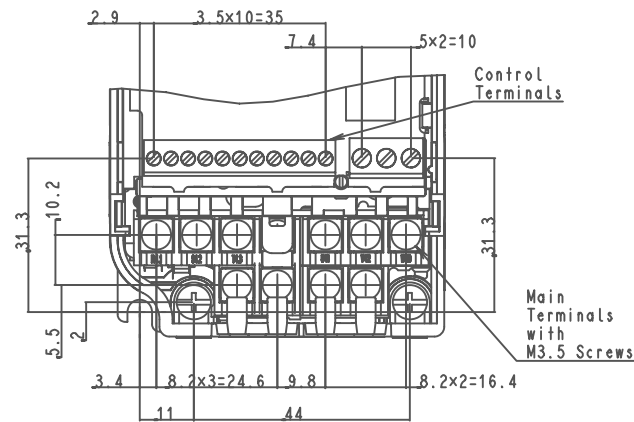
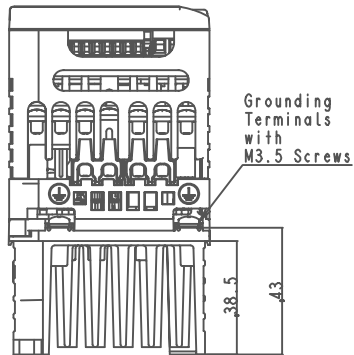
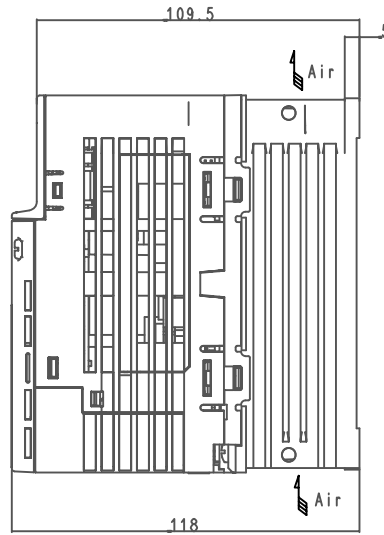
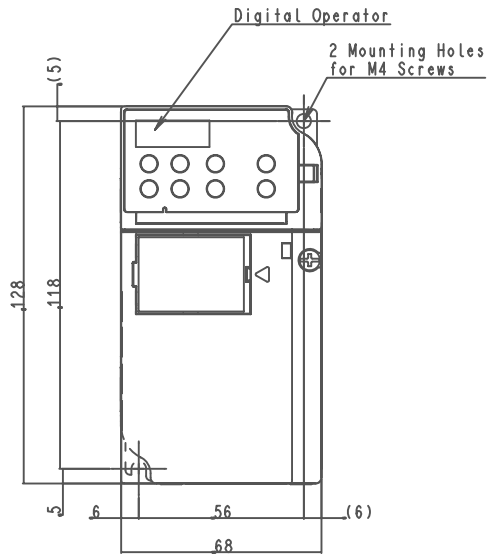
REV. 1

DWG. NO. EZZ901664-1/1

Model No.	Max Appli. Motor (kW)		Terminal Symbol			Cooling Fan	Mass (kg)
	Normal Duty	Heavy Duty	INPUT OUTPUT(MOTOR)				
CIMR-J#B0003B	0.75	0.4	R/L1 S/L2	U/T1 V/T2 W/T3	-	1.0	

#: A to Z
□: A to Z

Third Angle Projection
Dimensions in mm



Detail (without Front cover) SCALE 1:1

REVISIONS



YASKAWA

DRAW.	Oct.17,2007	N. Koga
CHECK	Oct.17,2007	T. Morihara
APPR.	Oct.17,2007	M. Kojyo

TITLE J1000 IP20 TYPE
DIMENSION DIAGRAM

DWG. NO. EZZ901664 1/1

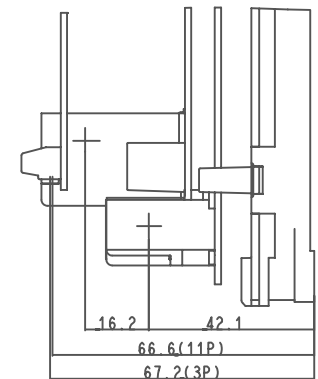
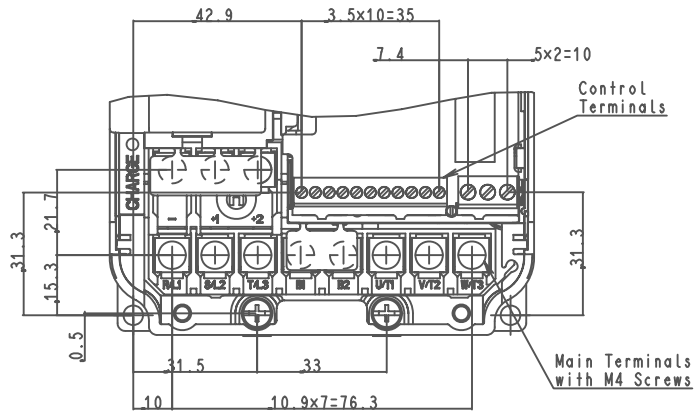
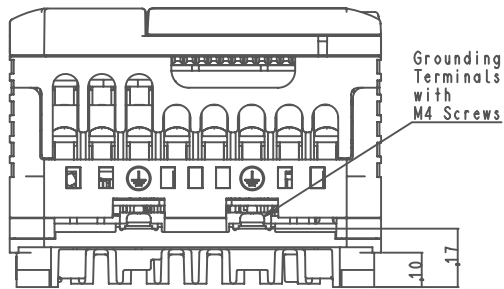
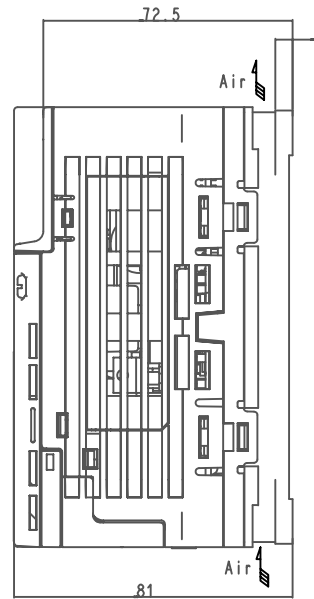
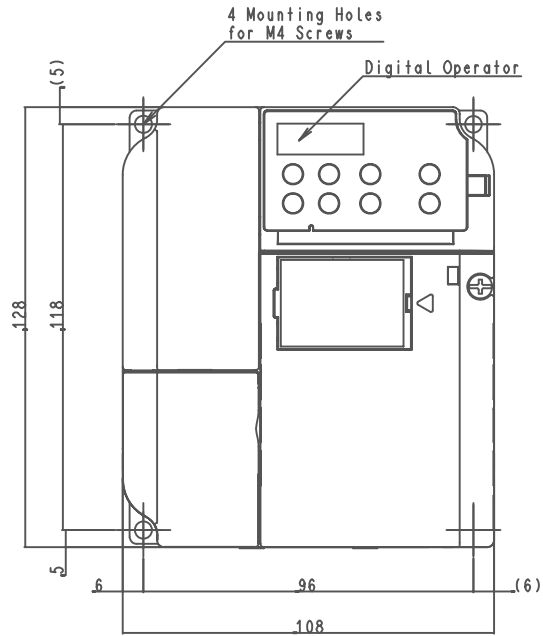
REV. 1

DWG. NO. EZZ901661-1/1

Model No.	Max Appli. Motor (kW)		Terminal Symbol			Cooling Fan	Mass (kg)			
	Normal Duty	Heavy Duty	INPUT OUTPUT(MOTOR)							
CIMR-J#4□0001B	0.4	0.2	R/L1	S/L2	T/L3	U/T1	V/T2	W/T3	-	1.0

#:A to Z
□:A to Z

Third Angle Projection
Dimensions in mm



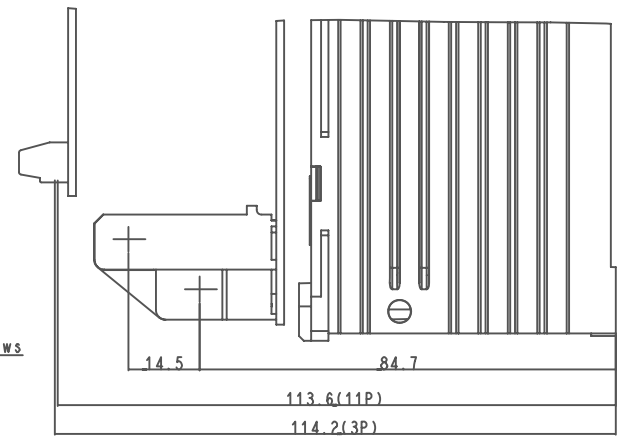
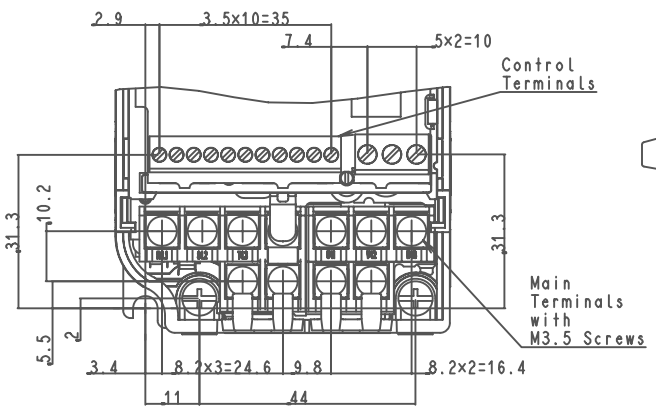
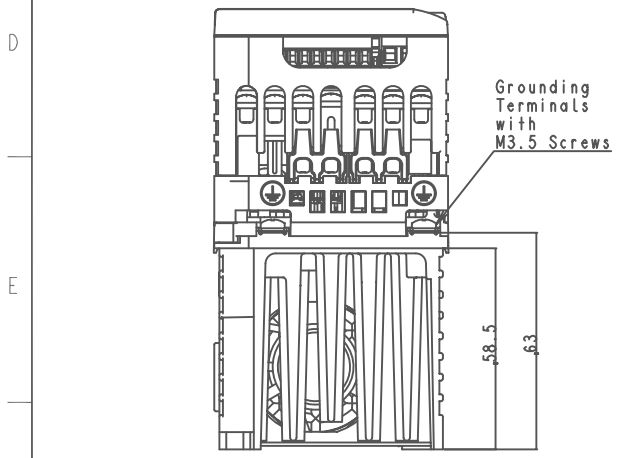
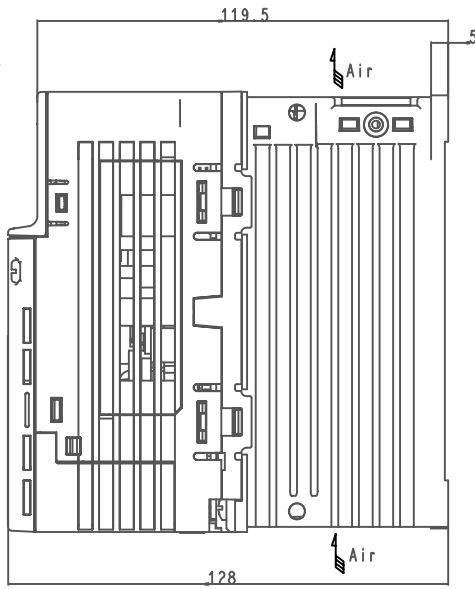
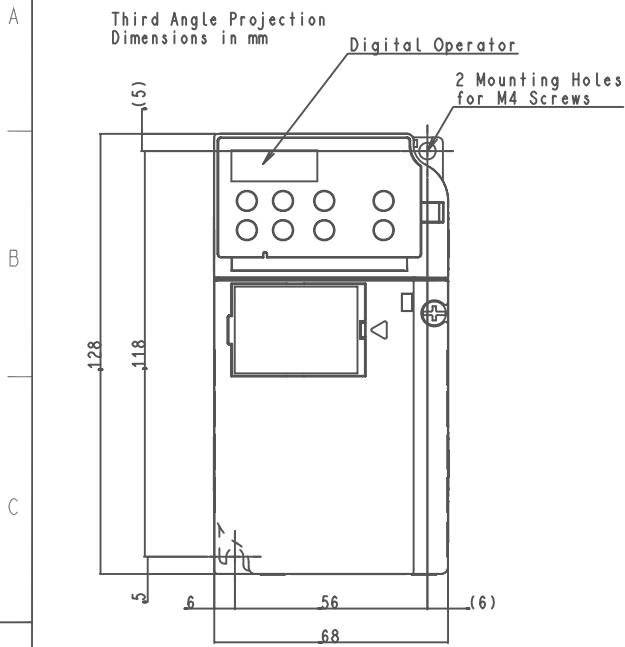
Detail (without Front cover) SCALE 0.8:1

REV. IONS	SCALE 0.7: 1	YASKAWA	DRAW. Oct.17,2007 N.Koga	TITLE J1000 IP20 TYPE	DWG. NO. EZZ901661	1	REV.
			CHECK Oct.17,2007 T.Morihara	DIMENSION DIAGRAM		1	◇
			APPR. Oct.17,2007 M.Kojyo				

DWG. NO. EZZ901657-1/1

Model No.	Max Appli. Motor (kW)		Terminal Symbol			Cooling Fan	Mass (kg)			
	Normal Duty	Heavy Duty	INPUT OUTPUT(MOTOR)							
CIMR-J#200006B	1.1	0.75	R/L1	S/L2	T/L3	U/T1	V/T2	W/T3	1	1.1

#: A to Z
□: A to Z



Detail (without Front cover) SCALE 1:1

REVISIONS



DRAW.	Oct.17,2007	N.Koga
CHECK	Oct.17,2007	T.Morihara
APPR.	Oct.17,2007	M.Kojo

TITLE J1000 IP20 TYPE
DIMENSION DIAGRAM

DWG. NO. EZZ901657 1/1
REV. 1

DWG. NO. EZZ901662-1/1

Model No.	Max Appli. Motor (kW)		Terminal Symbol			Cooling Fan	Mass (kg)			
	Normal Duty	Heavy Duty	INPUT OUTPUT(MOTOR)							
CIMR-J#4□0002B	0.75	0.4	R/L1	S/L2	T/L3	U/T1	V/T2	W/T3	-	1.2

#: A to Z
□: A to Z

Third Angle Projection
Dimensions in mm

4 Mounting Holes
for M4 Screws

Digital Operator

Air

Air

Grounding
Terminals
with
M4 Screws

Control
Terminals

Main Terminals
with M4 Screws

Detail (without Front cover) SCALE 0.8:1

REV. IONS

SCALE 0.7: 1



DRAW.	Oct.17,2007	N.Koga
CHECK	Oct.17,2007	T.Morihara
APPR.	Oct.17,2007	M.Kojyo

TITLE J1000 IP20 TYPE
DIMENSION DIAGRAM

DWG. NO. EZZ901662

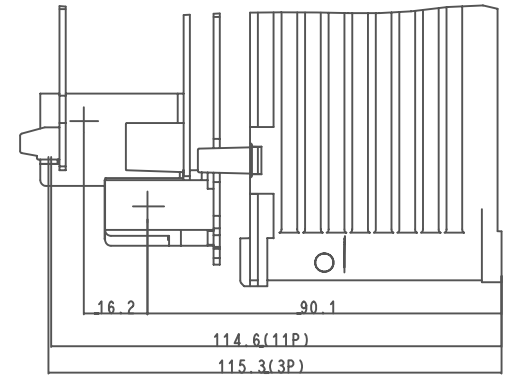
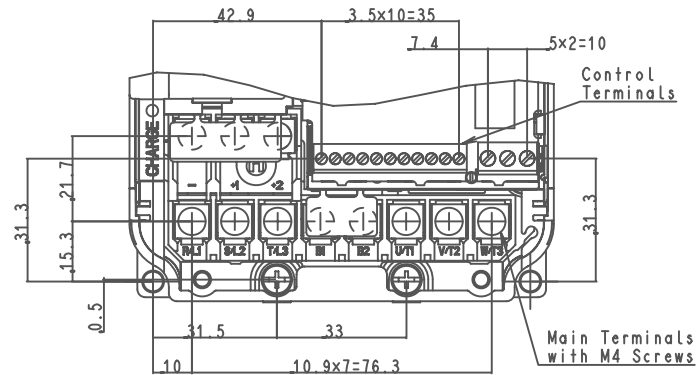
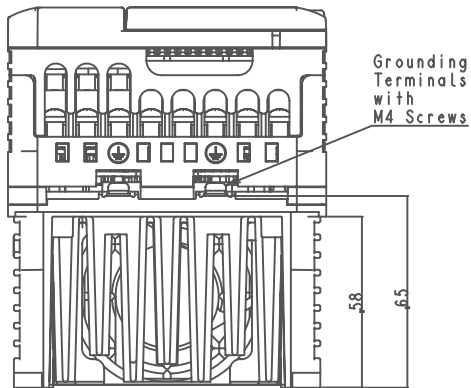
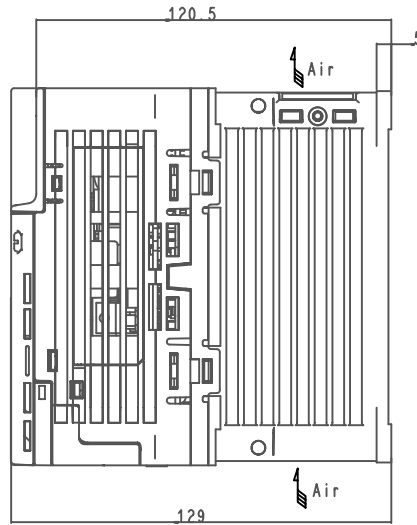
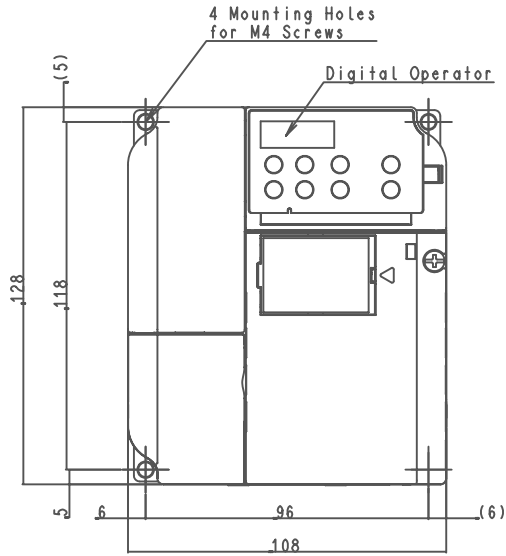
REV. 1

DWG. NO. EZZ901658-1/1

Model No.	Max Appli. Motor (kW)		Terminal Symbol			Cooling Fan	Mass (kg)
	Normal Duty	Heavy Duty	INPUT		OUTPUT(MOTOR)		
CIMR-J#2□0008B	1.5	1.1	R/L1 S/L2 T/L3	U/T1 V/T2 W/T3		1	1.7
CIMR-J#2□0010B	2.2	1.5				1	1.7

#: A to Z
□: A to Z

Third Angle Projection
Dimensions in mm



Detail (without Front cover) SCALE 0.8:1

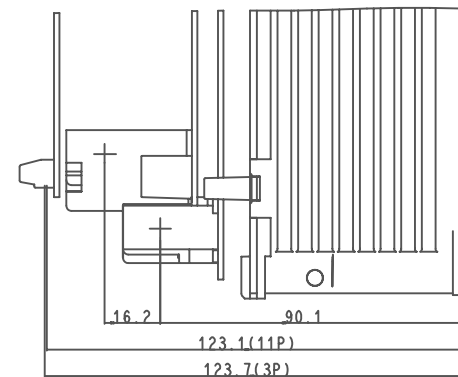
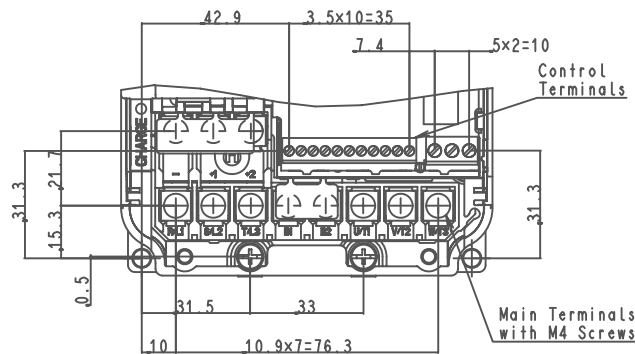
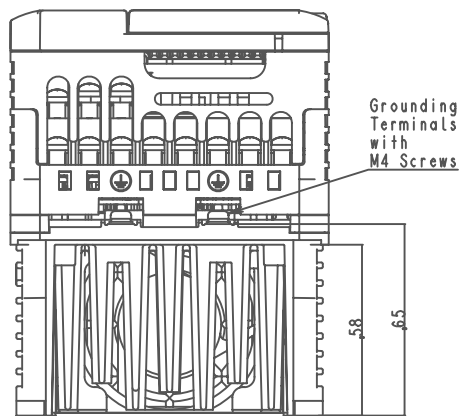
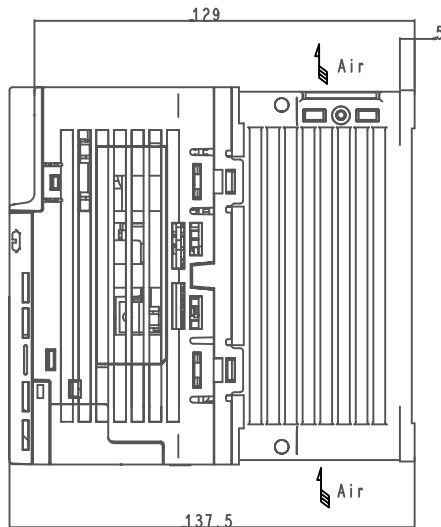
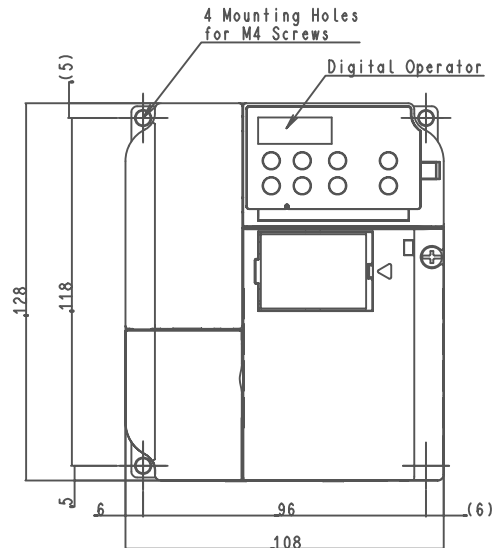
REV. 1 1	SCALE 0.6: 1	YASKAWA	DRAW. Oct.17,2007 N.Koga	TITLE J1000 IP20 TYPE	DWG. NO. EZZ901658	REV. 1
			CHECK Oct.17,2007 T.Morihara	DIMENSION DIAGRAM		
			APPR. Oct.17,2007 M.Kojyo			

DWG. NO. EZZ901659-1/1

Model No.	Max Appli. Motor (kW)		Terminal Symbol			Cooling Fan	Mass (kg)			
	Normal Duty	Heavy Duty	INPUT OUTPUT(MOTOR)							
CIMR-J#2□0012B	3.0	2.2	R/L1	S/L2	T/L3	U/T1	V/T2	W/T3	1	1.7

#: A to Z
□: A to Z

Third Angle Projection
Dimensions in mm



Detail (without Front cover) SCALE 0.7:1

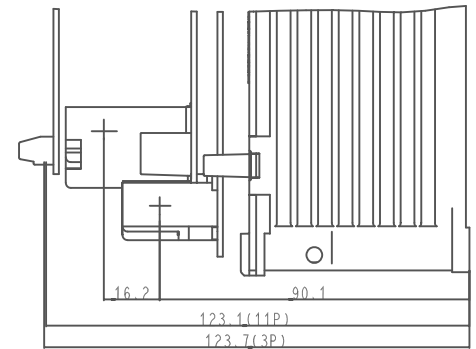
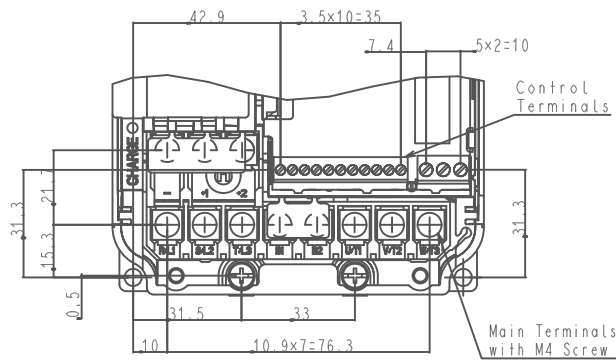
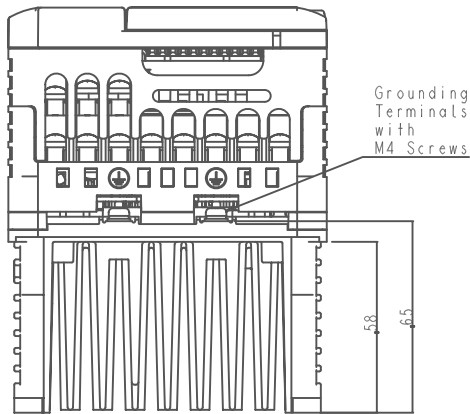
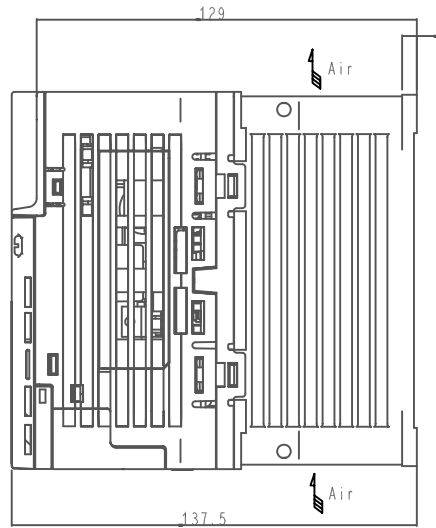
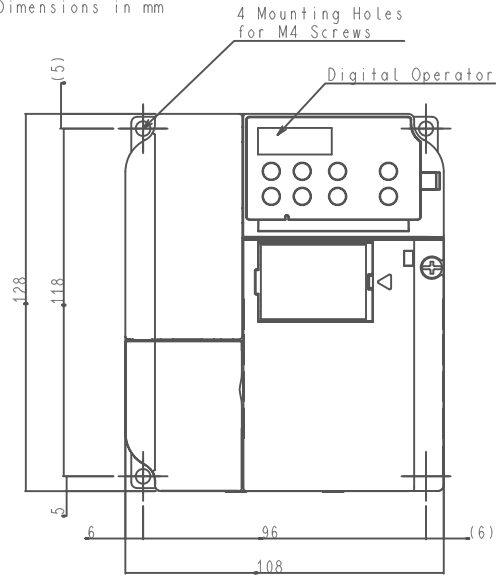
REVISIONS	SCALE 0.6: 1		DRAW.	Oct.17,2007	N.Koga	TITLE	J1000 IP20 TYPE	DWG. NO.	EZZ901659	REV.	1
			CHECK	Oct.17,2007	T.Morihara		DIMENSION DIAGRAM		1	◇	
			APPR.	Oct.17,2007	M.Kojyo						

DWG. NO. EZZ901665-1/1

Model No.	Max Appli. Motor (kW)		Terminal Symbol			Cooling Fan	Mass (kg)
	Normal Duty	Heavy Duty	INPUT		OUTPUT(MOTOR)		
CIMR-J#B00006B	1.1	0.75	R/L1	S/L2	U/T1 V/T2 W/T3	-	1.7
CIMR-J#400004B	1.5	0.75	R/L1	S/L2 T/L3	U/T1 V/T2 W/T3	-	1.7

#: A to Z
□: A to Z

Third Angle Projection
Dimensions in mm



Detail (without Front cover) SCALE 0.7:1

REVISIONS



DRAW. Oct.17.2007 N.Koga
CHECK Oct.17.2007 T.Morihara
APPR. Oct.17.2007 M.Kojyo

TITLE J1000 IP20 TYPE
DIMENSION DIAGRAM

DWG. NO. EZZ901665

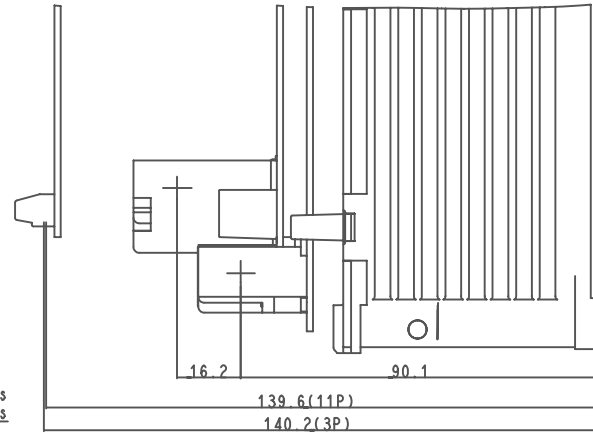
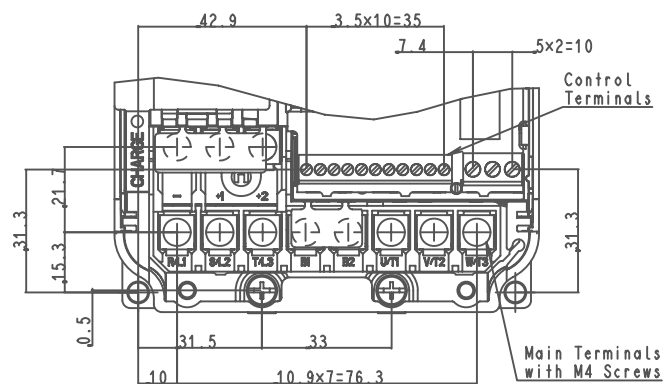
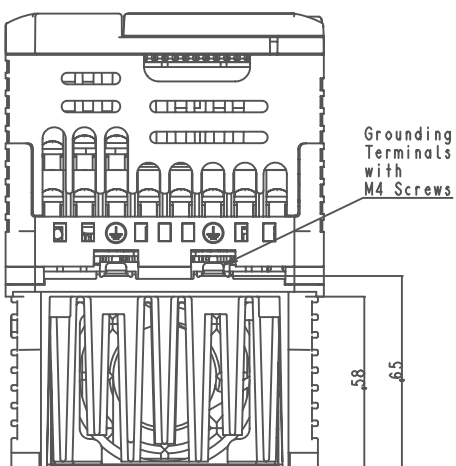
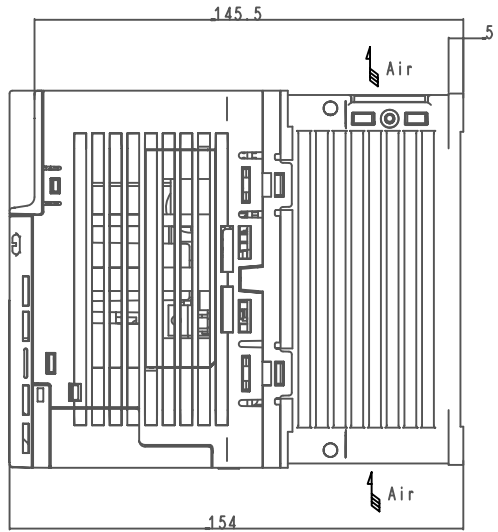
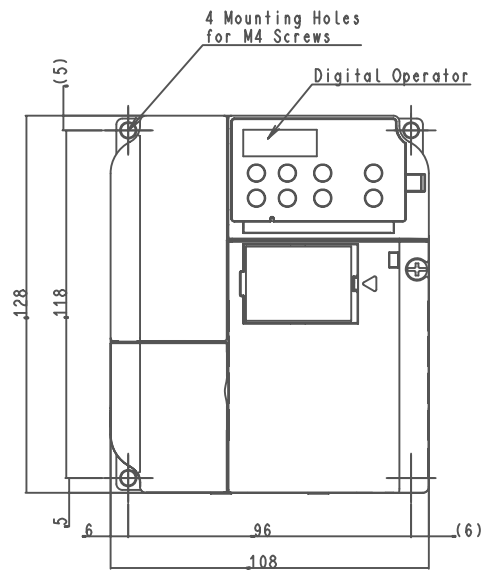
REV. 1

DWG. NO. EZZ901663-1/1

Model No.	Max Appli. Motor (kW)		Terminal Symbol		Cooling Fan	Mass (kg)
	Normal Duty	Heavy Duty	INPUT	OUTPUT(MOTOR)		
CIMR-J#4□0005B	2.2	1.5	R/L1 S/L2 T/L3	U/T1 V/T2 W/T3	1	1.7
CIMR-J#4□0007B	3.0	2.2		1	1.7	
CIMR-J#4□0009B	3.7	3.0		1	1.7	

#:A to Z
□:A to Z

Third Angle Projection
Dimensions in mm



Detail (without Front cover) SCALE 0.8:1

REV. 1

SCALE 0.6: 1



DRAW.	Oct.17,2007	N.Koga
CHECK	Oct.17,2007	T.Morihara
APPR.	Oct.17,2007	M.Kojo

TITLE J1000 IP20 TYPE
DIMENSION DIAGRAM

DWG. NO. EZZ901663

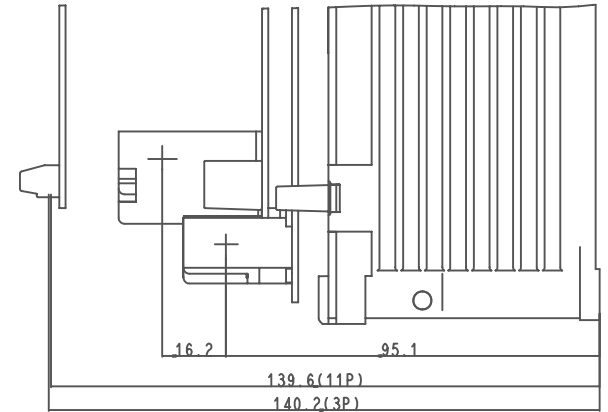
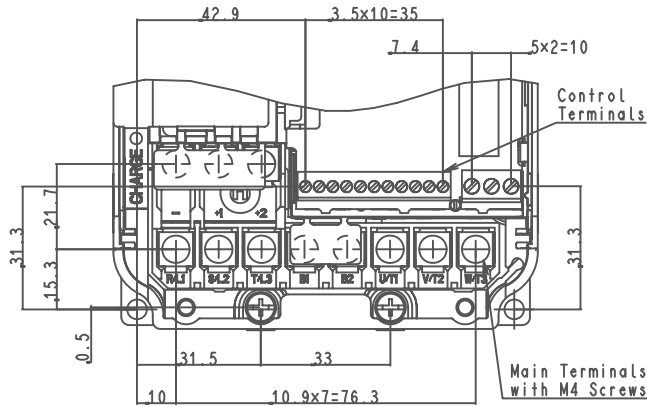
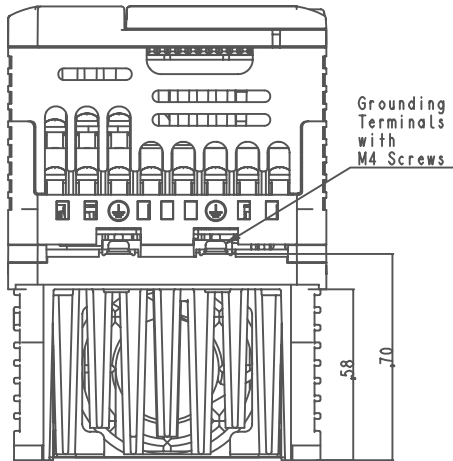
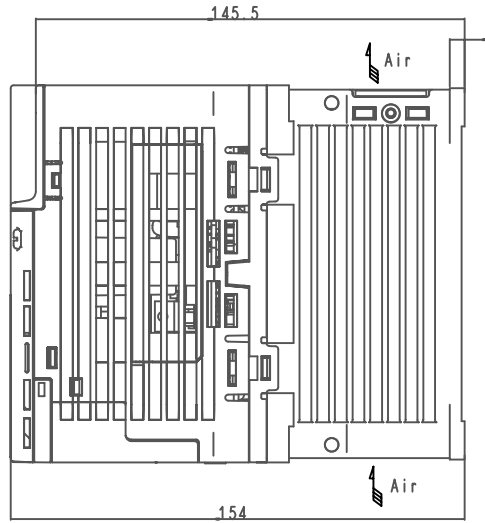
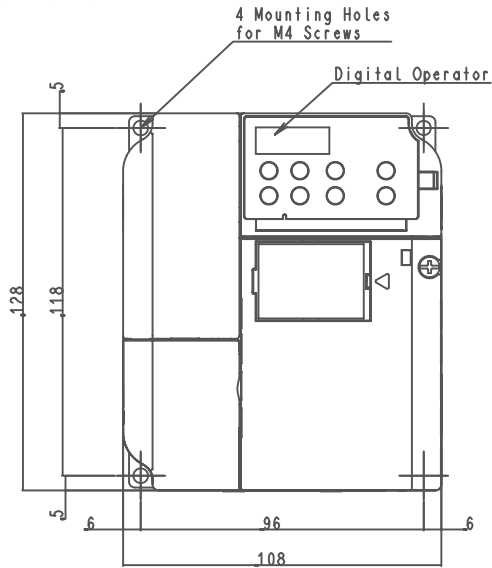
REV. 1

DWG. NO. **EZZ901666-1/1**

Model No.	Max Appli. Motor (kW)		Terminal Symbol			Cooling Fan	Mass (kg)
	Normal Duty	Heavy Duty	INPUT	OUTPUT(MOTOR)			
CIMR-J#B□0010B	2.2	1.5	R/L1 S/L2	U/T1	V/T2 W/T3	1	1.8

#:A to Z
□:A to Z

Third Angle Projection
Dimensions in mm



Detail (without Front cover) SCALE 0.8:1

REV. 1 1	SCALE 0.8: 1	YASKAWA	DRAW. Oct.17,2007 N.Koga	TITLE J1000 IP20 TYPE	DWG. NO. EZZ901666	1	REV. 1
			CHECK Oct.17,2007 T.Morihara	DIMENSION DIAGRAM			
			APPR. Oct.17,2007 M.Kojyo				

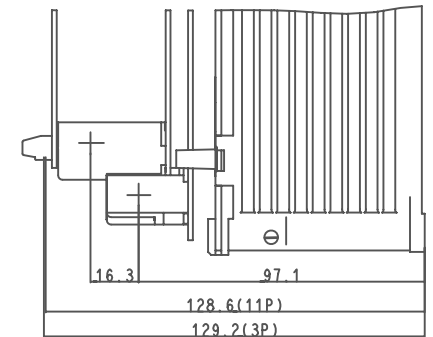
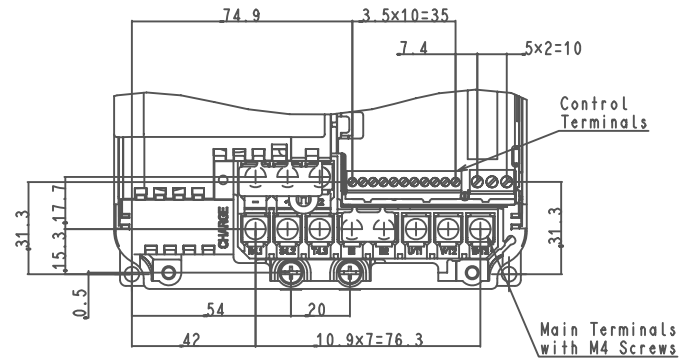
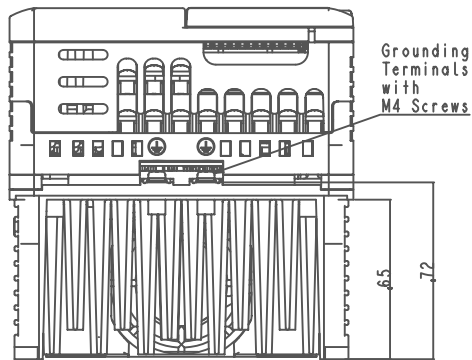
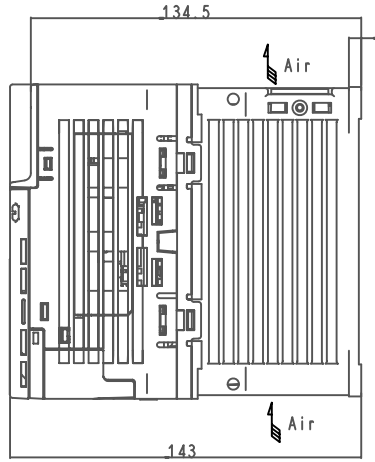
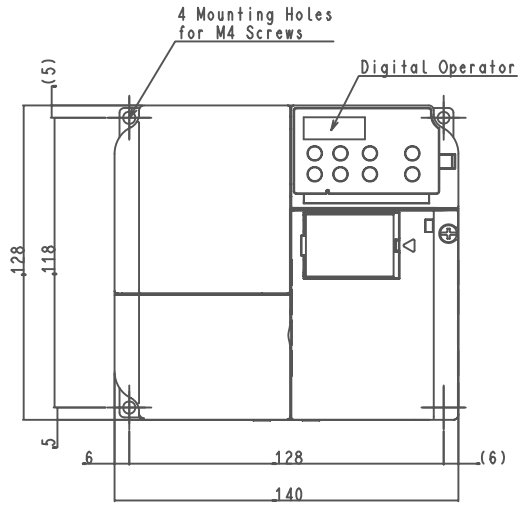
1 2 3 4 5 6 7 8

DWG. NO. EZZ901660-1/1

Model No.	Max Appli. Motor (kW)		Terminal Symbol		Cooling Fan	Mass (kg)
	Normal Duty	Heavy Duty	INPUT	OUTPUT(MOTOR)		
CIMR-J#2□0018B	3.7	3.0	R/L1 S/L2 T/L3	U/T1 V/T2 W/T3	1	2.4
CIMR-J#2□0020B	5.5	3.7			1	2.4
CIMR-J#4□0011B	5.5	3.7			1	2.4

#: A to Z
□: A to Z

Third Angle Projection
Dimensions in mm



Detail (without Front cover) SCALE 0.6:1

REV. 1 2 3	SCALE 1:2	YASKAWA	DRAW. Oct.17,2007 N. Koga	TITLE J1000 IP20 TYPE	DWG. NO. EZZ901660	1	REV. 1
			CHECK Oct.17,2007 T. Morihara	DIMENSION DIAGRAM			
			APPR. Oct.17,2007 M. Kojyo				